



FACTORY
BUILDER STORES

APPLIANCES • CABINETS

DEVONSHIRE 5 PC GE GAS PKG

3741 Apollo Rd
Corpus Christi
361-906-0045

Lisa Champion

achampion@factorybuilderstores.com



REMINDER:

To ensure a smooth project it is the responsibility of the homeowner / purchaser of appliances for this project to share all the attached specifications to ensure the cabinet provider, contractor, or any other tradesperson have all the information required to complete their work accurately.

Specifications are subject to change. If any tradesperson has questions regarding the attached specifications please contact our sales associate.

CORPUS CHRISTI, Texas, 78414

CORPUS CHRISTI, Texas, 78414



<i>Contents</i>	<i>Page no.</i>
EAS428S1 Elica Insert Hood ASTI	4-5
JGP5036SLSS GE Cooktop GE 36" Built-In Gas Cooktop with 5 Burners and Dishwasher Safe Grates	6-7
PEB7227ANDD GE Microwave GE Profile 2.2 Cu. Ft. Built-In Sensor Microwave Oven	8-9
JX7230SLSS GE Microwave GE Required 30" Built-In Trim Kit JX7230SLSS	10-11
JTS3000SNSS GE Wall Oven GE 30" Smart Built-In Self-Clean Single Wall Oven with Never-Scrub Racks	12-14

Factory Builder Stores

factorybuilderstores.com

Lisa Champion

361-906-0045

Order **1995**

Version 1.1

Fri, Jan 20, 2023

9:32 AM CST



enterprise.steelcod.com/sp/fbst/DITY122

Note about page numbers:

Because the original manufacturer's documents are not altered in any way, the page numbers displayed on the page may not correspond to the page number within this package.

All specifications are intended for initial planning purposes only.

Manufacturers reserve the right to change specifications at any time without notice. Always consult the installation instructions found on the manufacturer's website or included with the appliances before installation.

GDT535PSRSS

15-16

GE Dishwasher

GE Top Control with Plastic Interior
Dishwasher with Sanitize Cycle & Dry Boost

Note about page numbers:

Because the original manufacturer's documents are not altered in any way, the page numbers displayed on the page may not correspond to the page number within this package.

All specifications are intended for initial planning purposes only.

Manufacturers reserve the right to change specifications at any time without notice. Always consult the installation instructions found on the manufacturer's website or included with the appliances before installation.



3X LAYER MESH FILTER



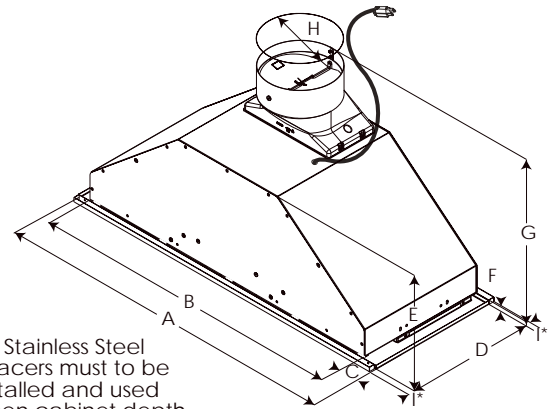
LED LIGHT

ELICA'S EXCLUSIVE PLUS FEATURES

Asti is designed for discreet mounting inside cabinetry, fits perfectly into 12" deep cabinetry and is ideal for kitchens where space is limited or the range hood needs to be out of sight.

Asti comes equipped with a powerful 400 CFM blower that can handle most cooking needs.

Convenient Backlit Electronic Push Button Controls operate the 3 speed blower and LED lighting, while dishwasher safe anodized aluminum mesh filters offer easy maintenance. Asti is designed for standard ducted or recirculating installation.



I* - Stainless Steel Spacers must be installed and used when cabinet depth is greater than 12".

	EAS422SS	EAS428S1
A	22 1/4" (57.1 cm)	28 1/4" (71.8 cm)
B	19 11/16" (50 cm)	26" (66 cm)
C	1 9/64" (2.9 cm)	
D	10 3/4" (27.3 cm)	
E	9 17/32" (24.2 cm)	
F	5/16" (.85 cm)	
G	14 9/16" (37 cm)	
H	6" (15.2 cm)	
I*	1/2" (1.27 cm)	



≥24"



≥30"

MOUNTING HEIGHT RANGE

SPECIFICATIONS



	24" Unit	28" Unit
Model:	EAS422SS	EAS428S1
Dimensions:	22 1/4 "W x 10 3/4" D x 9 1/2" H	28 1/4 "W x 10 3/4 " D x 9 1/2" H
Blower Type(internal):	400 CFM (3 -speed)	
Blower Performance:		
Speed 1	160 CFM	
Speed 2	280 CFM	
Speed 3	400 CFM	
Noise (sones):	Min: 1.5, Max: 5.9	
Working Speed		
Finish:	Stainless Steel	
Controls:	Backlit electronic Push Button 3-Speed	
Illumination:	2 LED, 2.1 Watts	
Filter Type:	Dishwasher-Safe, Anodized Aluminum Mesh Filter	
Aluminum Mesh Filters:	1	2
Duct Transition:	6" Round with Back Draft Damper (top only)	
Installation Type:	Ducted (Recirculating Kit sold separately)	
Electrical:	120 V - 60 Hz 340 Wattage	
KITS:		
Recirculating Kit with 2 carbon filters:	KIT02770	
30" Hood Liner (29" Wx17 1/2" -20 1/2" D):	KIT02773	
36" Hood Liner (35" Wx17 1/2" -20 1/2" D):	KIT02774	
	*Liner accessories are only available for the EAS428S1 model	
CONSUMABLE PARTS:		
Grease Filter (1):	GF08PA	GF08P
Carbon Filter(1):	FB016A	FB016A
Light Bulb (1):	LMP0117673	

*Consumable parts are sold in units of one (1). Order accordingly

PLUS FEATURES



3X LAYER GREASE FILTER - Elica aluminum mesh filters are a step above competition, featuring triple layered, anodized aluminum that is woven into a highly dense mesh. The thick mesh captures more grease, anodization helps resist staining and provides durability to repeated cleanings in the dishwasher.



LED LIGHT - LED lighting is undoubtedly the smartest solution in terms of energy saving. Expected life time of over 20.000 hours, represents the most remarkable advantage of LED light bulbs.



GE APPLIANCES
a Haier company

Model#: JGP5036SLSS

GE® 36" Built-In Gas Cooktop



Approx Dimensions (HxDxW):
5 1/2 in X 21 in X 36 in

- Fit Guarantee - Replacing a similar cooktop from GE Appliances or another brand? GE cooktops are guaranteed for an exact fit or GE Appliances will pay up to \$100 toward modifications.
- Heavy-cast, edge-to-edge grates - Allow for easy movement of pans between burners
- 15,000 BTU Power Boil burner - Delivers high heat for fast boiling
- Precise Simmer burner - Delicate foods don't burn with low, even heat
- Sealed cooktop burners - Contains spills and make cleaning quick and easy
- Heavy-duty, dishwasher-safe grates - Easily and safely clean grates in the dishwasher
- Optional extra-large, integrated cooktop griddle - Eliminate the need for extra cookware and enjoy an optional built-in cooking surface for pancakes, grilled cheeses and other favorites

Warranty Information:

- Parts Warranty : Limited 1-year entire appliance
- Labor Warranty : Limited 1-year entire appliance
- Warranty Notes : See written warranty for full details

Also Available in:

- JGP5036DLBB - Black
- JGP5036BMTS - Black Stainless

JGP5036DL/SL/BM

GE® 36" Built-In Gas Cooktop

DIMENSIONS AND INSTALLATION INFORMATION

AGA REQUIREMENT: All gas cooktop models require 7/16" free area below cooktop height to combustible material. Requires 18" minimum from countertop to adjacent overhead cabinets.

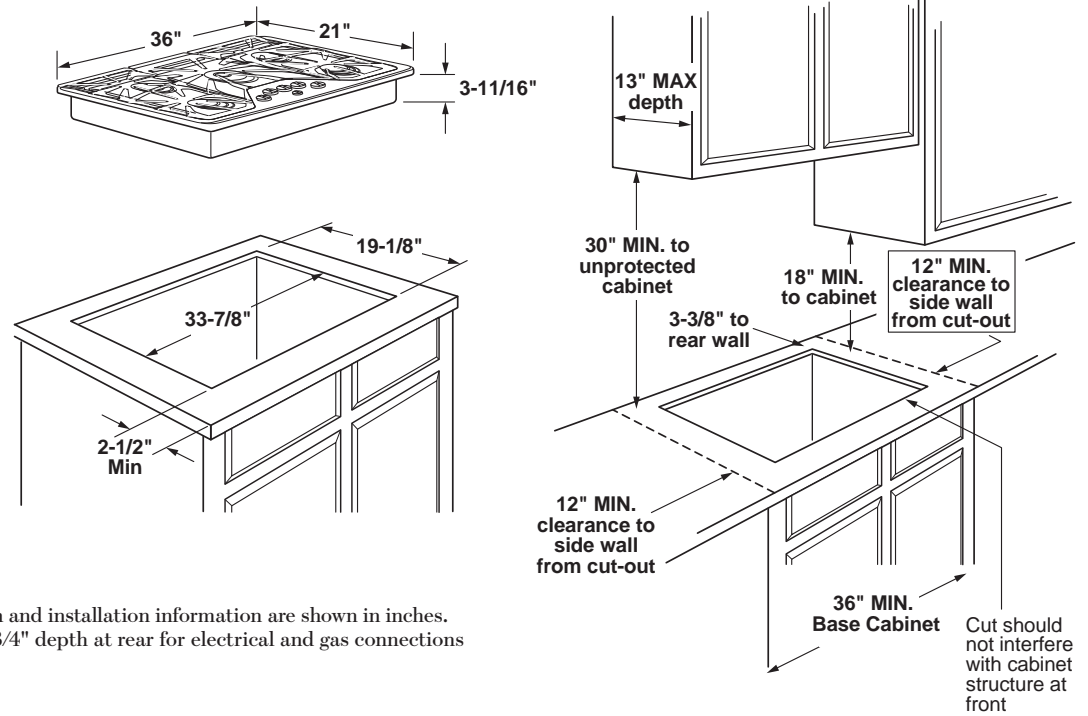
NOTE: If installing with a GE Profile™ Telescopic Downdraft System, consult both cooktop and downdraft installation instructions packed with product before installing. Cooktop gas/electric supply may need to be re-routed to install downdraft.

ELECTRICAL RATING: 120V, 60Hz, 5A

INSTALLATION WITH SINGLE WALL OVEN INFORMATION:

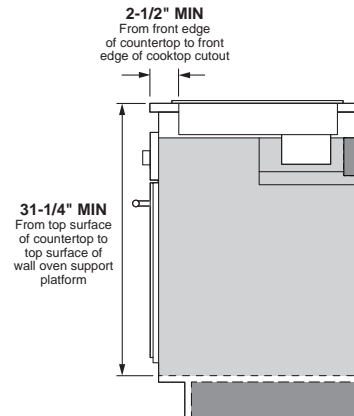
30" Gas Cooktops are approved for use over select GE 27" and 30" Wall Ovens and Warming Drawers. 30" and 36" Gas cooktops are approved for use over select 30" Wall Ovens and Warming Drawers. Refer to cooktop and wall oven/warming drawer installation instructions packed with product for current dimensional data.

INSTALLATION INFORMATION: Before installing, consult installation instructions, packed with product, for current dimensional data.



Dimension and installation information are shown in inches.
*Allow 5-3/4" depth at rear for electrical and gas connections

INSTALLATION ABOVE A WALL OVEN



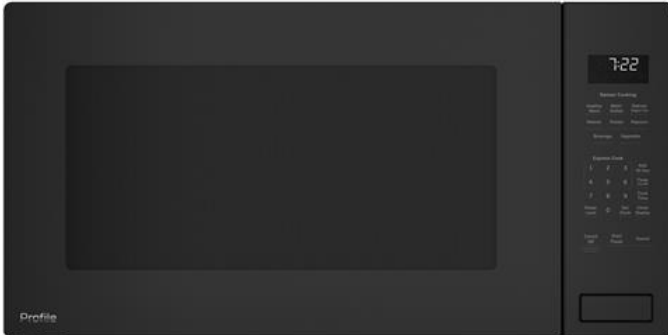
For answers to your Monogram, GE Café™ Series, GE Profile™ Series or GE Appliances product questions, visit our website at geappliances.com or call GE Answer Center® Service, 800.626.2000.





Model#: PEB7227ANDD

GE Profile™ 2.2 Cu. Ft. Built-In Sensor Microwave Oven



Approx Dimensions (HxDxW):
14 in X 19 3/4 in X 24 1/8 in

- Glass touch controls - Features a smooth glass design that is easy to operate and easy to clean
- 2.2 cu. ft. capacity - 1100 watts (IEC-705 test procedure)
- Sensor cooking controls - Automatically adjusts time and power for delicious cooking results
- Weight and time defrost - Simply enter the weight of the food, and the oven automatically sets the optimal defrosting time and power level or set your desired time for defrosting
- Extra-large 16" turntable - Rotates food throughout the cycle and accommodates large cookware
- Instant On controls - One-touch instant operation
- Control lockout - Helps prevent accidental activation

Warranty Information:

- Parts Warranty : Limited 1-year entire appliance
- Labor Warranty : Limited 1-year entire appliance
- Warranty Notes : See written warranty for full details

PEB7227ANDD

GE Profile™ Series 2.2 Cu. Ft. Built-In Sensor Microwave Oven

DIMENSIONS AND INSTALLATION INFORMATION (IN INCHES)

EXTERIOR DIMENSIONS (IN INCHES)

W x H x D	24 1/8" x 14" x 19 3/4"
-----------	-------------------------

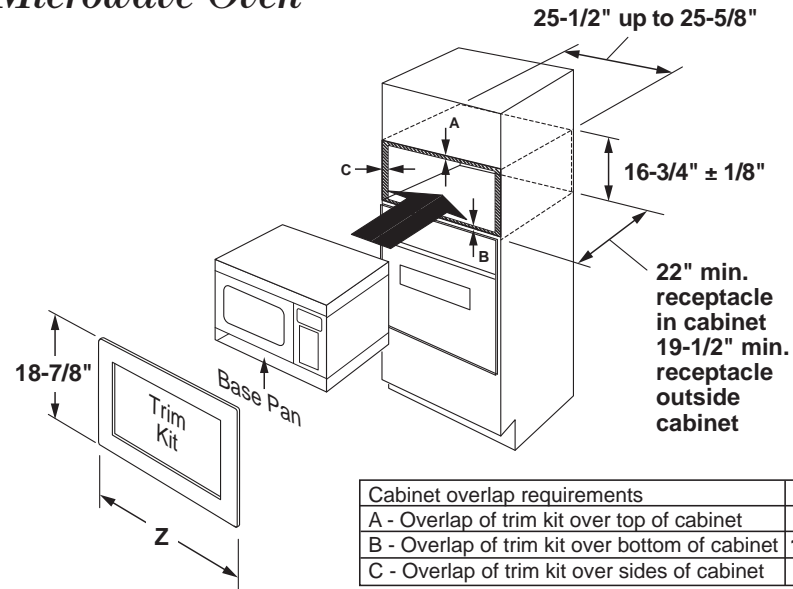
ACCESSORY TRIM KITS FOR GE MICROWAVE OVENS (AVAILABLE AT ADDITIONAL COST)

For a custom built-in appearance, these kits allow built-in installation of the microwave oven into a wall or cabinet alone and are U.L. approved for installation over a GE single electric wall oven. These kits should not be installed over a gas wall oven.

NOTE: 120V, 60-cycle, grounded power receptacle location optional on back within cabinet opening.

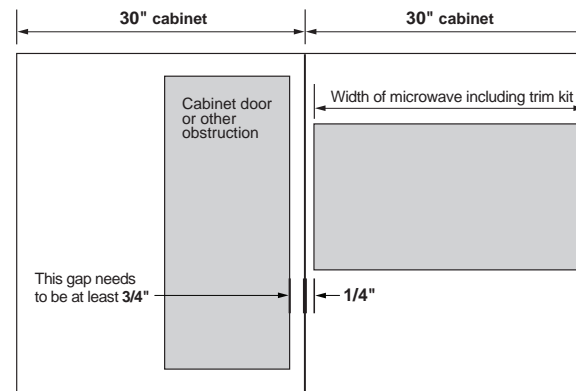
COLOR	TRIM KIT	SIZE	Z	MAX. HEIGHT
Stainless Steel	JX7227SLSS	27"	26 7/8"	18 7/8"
Slate	JX7227ELES	27"	26 7/8"	18 7/8"
Stainless Steel	JX7230SLSS	30"	29 3/4"	18 7/8"
Slate	JX7230ELES	30"	29 3/4"	18 7/8"
Black Stainless	JX7227BLTS	27"	26 7/8"	18 7/8"
Black Slate	JX7227FMDS	27"	26 7/8"	18 7/8"
Black Stainless	JX7230BLTS	30"	29 3/4"	18 7/8"
Black Slate	JX7230FMDS	30"	29 3/4"	18 7/8"

INSTALLATION INFORMATION: This information is not intended to be used for installing unit described. Before installing, consult installation instructions packed with product/kit for current dimensional data. For ADA compliance, the microwave must be installed no higher than 36 1/4".



Cabinet overlap requirements	30"	27"
A - Overlap of trim kit over top of cabinet	1"	1"
B - Overlap of trim kit over bottom of cabinet	1-1/8"	1-1/8"
C - Overlap of trim kit over sides of cabinet	2-1/8"	5/8"

NOTE: Allow an additional inch of clearance beyond trim kit frame on all sides to prevent the trim kit from blocking any outside adjoining cabinets/obstructions. Reference below drawing.



For answers to your Monogram, GE Café™ Series, GE Profile™ Series or GE Appliances product questions, visit our website at geappliances.com or call GE Answer Center® Service, 800.626.2000.



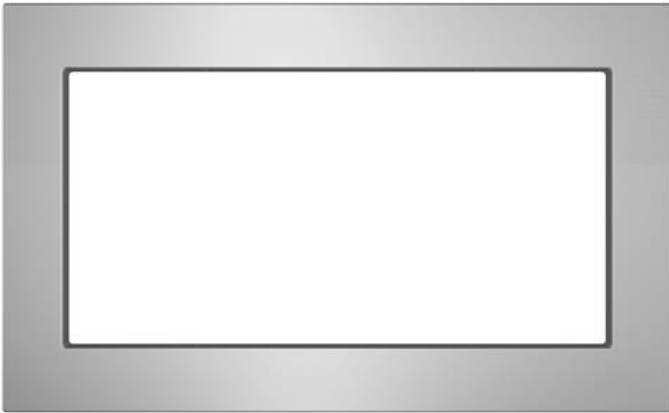
Specification Revised 8/19



GE APPLIANCES
a Haier company

Model#: JX7230SLSS

**GE® Required 30" Built-In Trim Kit
JX7230SLSS**



Approx Dimensions (HxDxW):
18 7/8 in X in X 29 3/4 in

Also Available in:

JX7230FMDS - Black Slate
JX7230DLBB - Black
JX7230DLWW - White
JX7230ELES - Slate
JX7230BLTS - Black Stainless

Installation Instructions

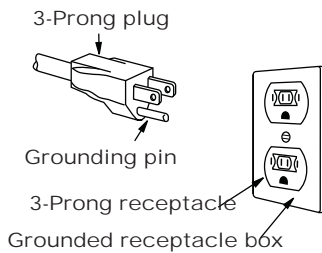
GROUNDING INSTRUCTIONS

This appliance must be grounded. In the event of an electrical short circuit, grounding reduces the risk of electric shock by providing an escape wire for the electric current. This appliance is equipped with a cord having a grounding wire with a grounding plug. The plug must be plugged into an outlet that is properly installed and grounded. Consult a qualified electrician or serviceman if the grounding instructions are not completely understood, or if doubt exists as to whether the appliance is properly grounded.

⚠ WARNING

Improper use of the grounding plug can result in a risk of electric shock. Do not use an extension cord. If the power supply cord is too short, have a qualified electrician or serviceman install an outlet near the appliance.

Permanent and Correct Installation



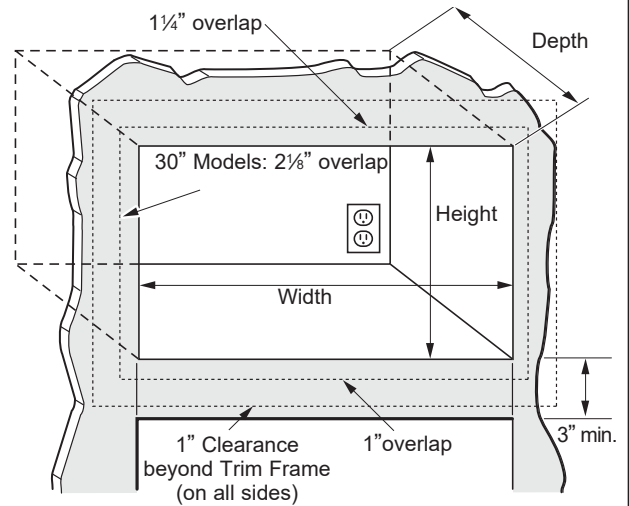
ELECTRICAL REQUIREMENTS

Product rating is 120 volts AC, 60 Hertz, 14.5 amps and 1.70 kilowatts. This product must be connected to a supply circuit of the proper voltage and frequency. Wire size must conform to the requirements of the National Electrical Code or the prevailing local code for this kilowatt rating. The power supply cord and plug should be brought to a separate 15 to 20 ampere branch circuit single grounded outlet. The outlet box should be located in the cabinet above the oven. The outlet box and supply circuit should be installed by a qualified electrician and conform to the National Electrical Code or the prevailing local code.

CUTOUT DIMENSIONS

Models		30"
Height		16 $\frac{3}{4}$ "
Width		25 $\frac{1}{2}$ "
Depth (min.)*		19 $\frac{1}{2}$ " or 22"

* Min. depth with receptacle outside cabinet 19 $\frac{1}{2}$ "
Min. depth with receptacle inside cabinet 22"



⚠ CAUTION

This trim kit uses air flow from the top, bottom and sides of the trim frame. Blocking the air flow can cause the microwave to function improperly and may cause damage to the microwave.

Allow a 1" clearance beyond the edge of the Trim Frame to provide proper air flow.

On 27" models, allow 1 $\frac{1}{4}$ " at the top, $\frac{9}{16}$ " on the sides and 1" at the bottom for overlap of the Trim Frame over the edges of the cutout.

On 30" models, allow 1 $\frac{1}{4}$ " at the top, 2 $\frac{1}{8}$ " on the sides and 1" at the bottom for overlap of the Trim Frame over the edges of the cutout.

For ADA Compliance, the microwave must be installed no higher than 36 $\frac{1}{4}$ ".



GE APPLIANCES
a Haier company



Model#: JTS3000SNSS

GE® 30" Built-In Single Wall Oven

Approx Dimensions (HxDxW):
28 5/8 in X 26 3/4 in X 29 3/4 in

- Fit Guarantee - Replacing a similar wall oven from GE Appliances or another brand? GE wall ovens are guaranteed for an exact fit or GE Appliances will pay up to \$300 toward modifications.
- Never scrub, heavy-duty racks - Say goodbye to scrubbing thanks to never scrub heavy-duty racks, engineered to withstand a self clean cycle
- Self-Clean with optional Steam Clean - Cleaning the oven interior has never been easier, with two cleaning options to fit your lifestyle
- Anywhere control with remote notifications - Save time by conveniently preheating and monitoring your oven from anywhere using the GE Appliances Kitchen app
- Glass touch controls - Set temperatures quickly and clean with little effort
- 10-pass hidden bake element - Even baking and quick cleanup are assured, with 10-pass element that heats a large cooking area and is hidden for an easy-to-wipe surface

Warranty Information:

- Parts Warranty : Limited 1-year entire appliance
- Labor Warranty : Limited 1-year entire appliance
- Warranty Notes : See written warranty for full details

Also Available in:

JTS3000DNWW - White
JTS3000ENES - Slate
JTS3000DNBB - Black

JTS3000DN/EN/SN

GE® 30" Built-In Single Electric Wall Oven

DIMENSIONS AND INSTALLATION INFORMATION (IN INCHES)

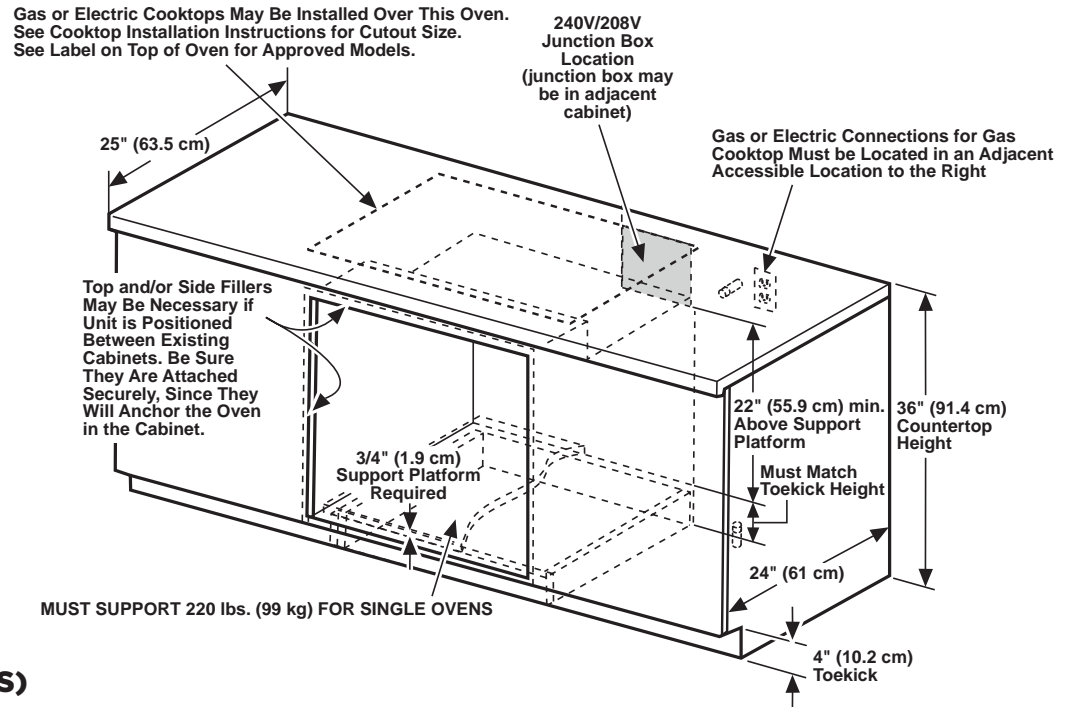
NOTE: 30" Single electric wall ovens are approved for installation below a countertop, and below certain gas and electric cooktops. Refer to the Approved Combinations Matrix available at geappliances.com for specific information.

NOTE: 30" Single electric wall ovens are approved for installation above 27" and 30" warming drawers.

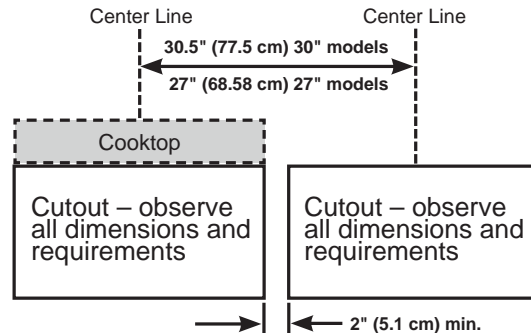
ATTENTION INSTALLER: Electric wall ovens are NOT approved for installation with a plug and receptacle. They must be hard wired into an approved junction box.

IMPORTANT: Before installing, consult installation instructions packed with ALL products for current dimensional and combination data.

UNDERCOUNTER INSTALLATION



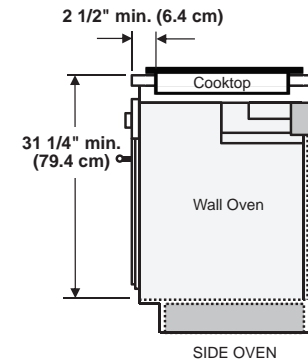
SIDE-BY-SIDE INSTALLATION (TWO OVENS IN SEPARATE CUTOUTS)



NOTE: One cooktop may be centered over either oven in the side-by-side installation.

INSTALLATION BELOW A COOKTOP

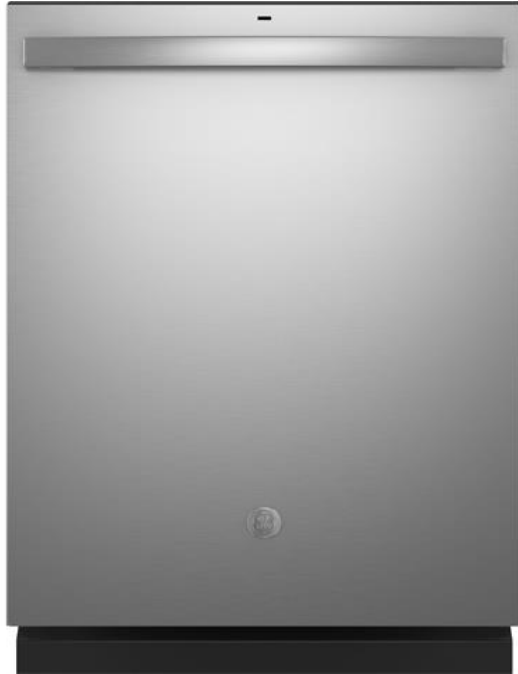
IMPORTANT: Maintain a minimum distance of 31 1/4" from the top surface of the countertop to the wall oven platform to ensure that the cooktop and wall oven do not interfere with each other (see picture).



For answers to your GE Profile™ Series or GE Appliances product questions, visit our website at geappliances.com or call GE Answer Center® Service, 800.626.2000.



GE APPLIANCES
a Haier company



Model#: GDT535PSRSS

GE® Dishwasher with Top Controls

Approx Dimensions (HxDxW):
33 3/8 in X 24 in X 24 3/4 in

- **Reliable Performance** - This American made dishwasher is durable, long-lasting and dependable. Its consistent performance will give you totally clean and dry dishes with every cycle
- **Dry Boost™** - Featuring Dry Boost, this dishwasher is the best drying dishwasher in its class and gets dishes 7x drier. *With use of Dry Boost tested against similar featured products: FFID2426TS3A, WDF520PADM, DW80R2031US
- **Steam + Sani** - Save time with a Steam option that loosens tough soils before the wash cycle begins, so you get a complete clean with no pre-rinsing or soaking necessary. Plus, a Sanitization cycle reduces 99.999% of bacteria on dishes
- **Water Leak Sensor** - This dishwasher features Active Flood Protect, preventing potential overflows for greater peace of mind. A water sensor cancels the wash cycle before a flood can occur and alerts you with blinking lights and a tone

Warranty Information:

- **Parts Warranty** : Limited 1-year entire appliance
- **Labor Warranty** : Limited 1-year entire appliance
- **Warranty Notes** : See written warranty for full details

Also Available in:

GDT535PGRWW - White
GDT535PGRBB - Black

GDT535PGR/PSR

GE® Plastic Interior Dishwasher with Top Controls

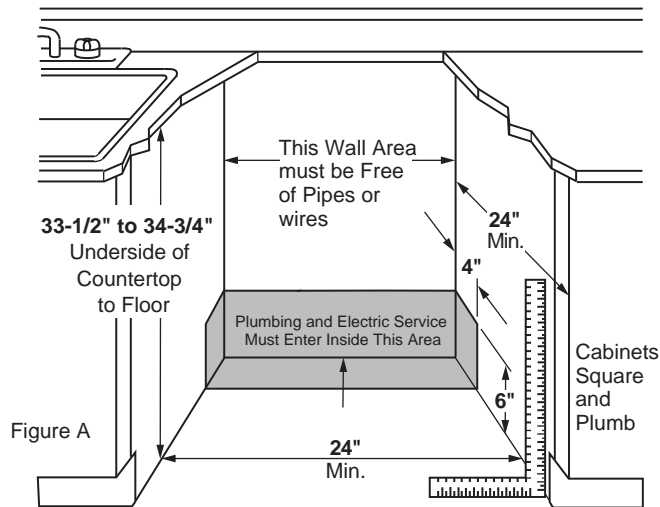
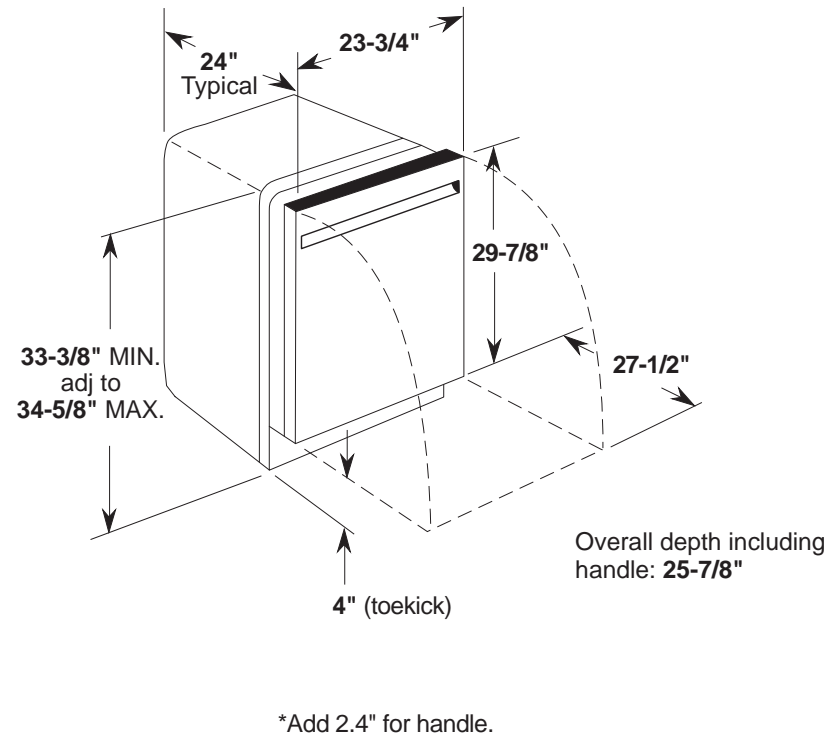
DIMENSIONS AND INSTALLATION INFORMATION (IN INCHES)

ELECTRICAL RATING

Voltage AC.....	120
Hertz.....	60
Total connected load amperage.....	7.1
Calrod® heater watts max.....	800/500

For use on adequately wired 120-volt, 15-amp circuit having 2-wire service with a separate ground wire. This appliance must be grounded for safe operation.

INSTALLATION INFORMATION: Before installing, consult installation instructions packed with product for current dimensional data.



For answers to your Monogram, GE Café™, GE Profile™ or GE Appliances product questions, visit our website at geappliances.com or call GE Answer Center® Service, 800.626.2000.



Listed by Underwriters Laboratories



As an ENERGY STAR® partner, GE has determined that this product meets the ENERGY STAR guidelines for energy efficiency.