



**FACTORY**  
BUILDER STORES

---

**APPLIANCES • CABINETS**

**DEVONSHIRE 5 PC WHIRLPOOL GAS**

---

3741 Apollo Rd  
Corpus Christi  
361-906-0045

Lisa Champion

[achampion@factorybuilderstores.com](mailto:achampion@factorybuilderstores.com)



**REMINDER:**

To ensure a smooth project it is the responsibility of the homeowner / purchaser of appliances for this project to share all the attached specifications to ensure the cabinet provider, contractor, or any other tradesperson have all the information required to complete their work accurately.

Specifications are subject to change. If any tradesperson has questions regarding the attached specifications please contact our sales associate.

**2129 AIRLINE RD CORPUS CHRISTI, TX,  
78414**

2129 AIRLINE RD  
CORPUS CHRISTI, TX, 78414



<i>Contents</i>	<i>Page no.</i>
<b>EAS428S1</b> Elica Insert Hood ASTI	4-5
<b>WCG55US6HS</b> Whirlpool Cooktop 36-inch Gas Cooktop with EZ-2-Lift™ Hinged Cast-Iron Grates	6-8
<b>WOS51EC0HS</b> Whirlpool Wall Oven 5.0 cu. ft. Smart Single Wall Oven with Touchscreen	9-11
<b>WMC50522HS</b> Whirlpool Microwave	12
<b>MK2220AS</b> Whirlpool Trim Kit	13
<b>WDP540HAMZ</b>	14-17

**Factory Builder Stores**

factorybuilderstores.com

**Lisa Champion**

361-906-0045

Order **10020**

Version 1.1

Fri, Jan 20, 2023

9:40 AM CST



enterprise.steelcod.com/sp/fbst/IFHDA9AT

**Note about page numbers:**

Because the original manufacturer's documents are not altered in any way, the page numbers displayed on the page may not correspond to the page number within this package.

**All specifications are intended for initial planning purposes only.**

Manufacturers reserve the right to change specifications at any time without notice. Always consult the installation instructions found on the manufacturer's website or included with the appliances before installation.

Whirlpool Dishwasher

55 dBA Quiet Dishwasher with Boost Cycle  
and Pocket Handle

**Note about page numbers:**

Because the original manufacturer's documents are not altered in any way, the page numbers displayed on the page may not correspond to the page number within this package.

**All specifications are intended for initial planning purposes only.**

Manufacturers reserve the right to change specifications at any time without notice. Always consult the installation instructions found on the manufacturer's website or included with the appliances before installation.



3X LAYER MESH FILTER



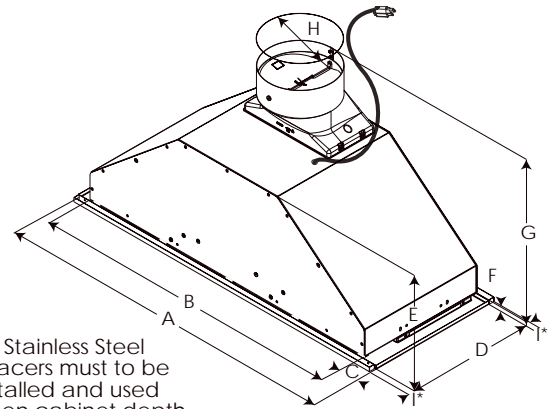
LED LIGHT

ELICA'S EXCLUSIVE PLUS FEATURES

Asti is designed for discreet mounting inside cabinetry, fits perfectly into 12" deep cabinetry and is ideal for kitchens where space is limited or the range hood needs to be out of sight.

Asti comes equipped with a powerful 400 CFM blower that can handle most cooking needs.

Convenient Backlit Electronic Push Button Controls operate the 3 speed blower and LED lighting, while dishwasher safe anodized aluminum mesh filters offer easy maintenance. Asti is designed for standard ducted or recirculating installation.



I\* - Stainless Steel Spacers must be installed and used when cabinet depth is greater than 12".

	EAS422SS	EAS428S1
A	22 1/4" (57.1 cm)	28 1/4" (71.8 cm)
B	19 11/16" (50 cm)	26" (66 cm)
C	1 9/64" (2.9 cm)	
D	10 3/4" (27.3 cm)	
E	9 17/32" (24.2 cm)	
F	5/16" (.85 cm)	
G	14 9/16" (37 cm)	
H	6" (15.2 cm)	
I*	1/2" (1.27 cm)	



≥24"



≥30"

MOUNTING HEIGHT RANGE

## SPECIFICATIONS



	24" Unit	28" Unit
Model:	EAS422SS	EAS428S1
Dimensions:	22 1/4 "W x 10 3/4" D x 9 1/2" H	28 1/4 "W x 10 3/4 " D x 9 1/2" H
Blower Type(internal):	400 CFM (3 -speed)	
Blower Performance:		
Speed 1	160 CFM	
Speed 2	280 CFM	
Speed 3	400 CFM	
Noise (sones):	Min: 1.5, Max: 5.9	
Working Speed		
Finish:	Stainless Steel	
Controls:	Backlit electronic Push Button 3-Speed	
Illumination:	2 LED, 2.1 Watts	
Filter Type:	Dishwasher-Safe, Anodized Aluminum Mesh Filter	
Aluminum Mesh Filters:	1	2
Duct Transition:	6" Round with Back Draft Damper (top only)	
Installation Type:	Ducted (Recirculating Kit sold separately)	
Electrical:	120 V - 60 Hz 340 Wattage	
KITS:		
Recirculating Kit with 2 carbon filters:	KIT02770	
30" Hood Liner (29" Wx17 1/2" -20 1/2" D):	KIT02773	
36" Hood Liner (35" Wx17 1/2" -20 1/2" D):	KIT02774	
	*Liner accessories are only available for the EAS428S1 model	
CONSUMABLE PARTS:		
Grease Filter (1):	GF08PA	GF08P
Carbon Filter(1):	FB016A	FB016A
Light Bulb (1):	LMP0117673	

\*Consumable parts are sold in units of one (1). Order accordingly

## PLUS FEATURES



**3X LAYER GREASE FILTER** - Elica aluminum mesh filters are a step above competition, featuring triple layered, anodized aluminum that is woven into a highly dense mesh. The thick mesh captures more grease, anodization helps resist staining and provides durability to repeated cleanings in the dishwasher.



**LED LIGHT** - LED lighting is undoubtedly the smartest solution in terms of energy saving. Expected life time of over 20.000 hours, represents the most remarkable advantage of LED light bulbs.

# WCG55US6HS



## 36-inch Gas Cooktop with EZ-2-Lift™ Hinged Cast-Iron Grates

<http://www.whirlpool.com>



### Key Features:

- EZ-2-Lift™ Hinged Cast-Iron Grates
- Upswept SpillGuard™ Cooktop
- SpeedHeat™ Burner
- AccuSimmer® Burner
- Fifth Burner
- Sealed Burners
- Full Width Grates
- Dishwasher-Safe Knobs
- Wall Oven Compatible
- #1 Selling Appliance Brand in the U.S.A.

### Product Dimensions:

Height: 4 1/8

Width: 36

Depth: 21

### Additional Information:

[Use And Care Guide](#)

[Installation Guide](#)

[Warranty Certificate](#)

Available in:

- Black
- Stainless Steel
- White

INVESTED  
IN  
AMERICA



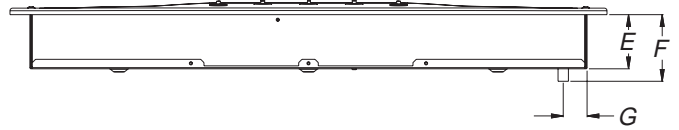
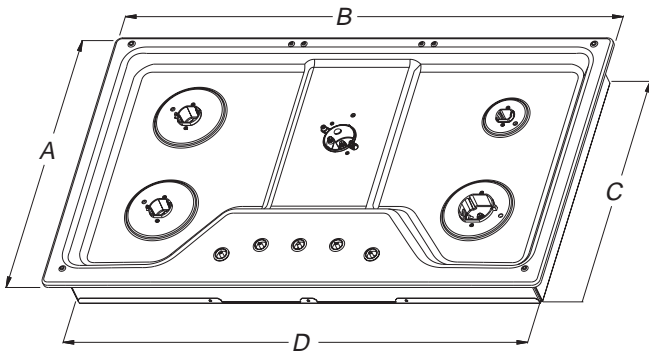
©Registered trademark/TM Trademark of Whirlpool, U.S.A. © 2016 Whirlpool Corporation. All Rights Reserved. All other trademarks are owned by their respective companies.

Because Whirlpool Corporation policy includes a continuous commitment to improve our products, we reserve the right to change materials and specifications without notice. We also reserve the right to discontinue or transition products without notice.

Manufacturer's Suggested Retail Price (MSRP) and Minimum Advertised Price (MAP) provided for reference purposes only. Dealer alone determines advertised and retail prices.

Created On: Friday, April 13, 2018 07:23:09

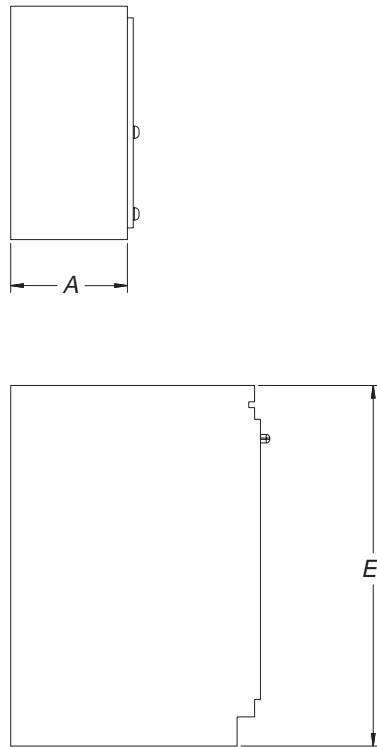
**All Other 36" (91.4 cm) Models**



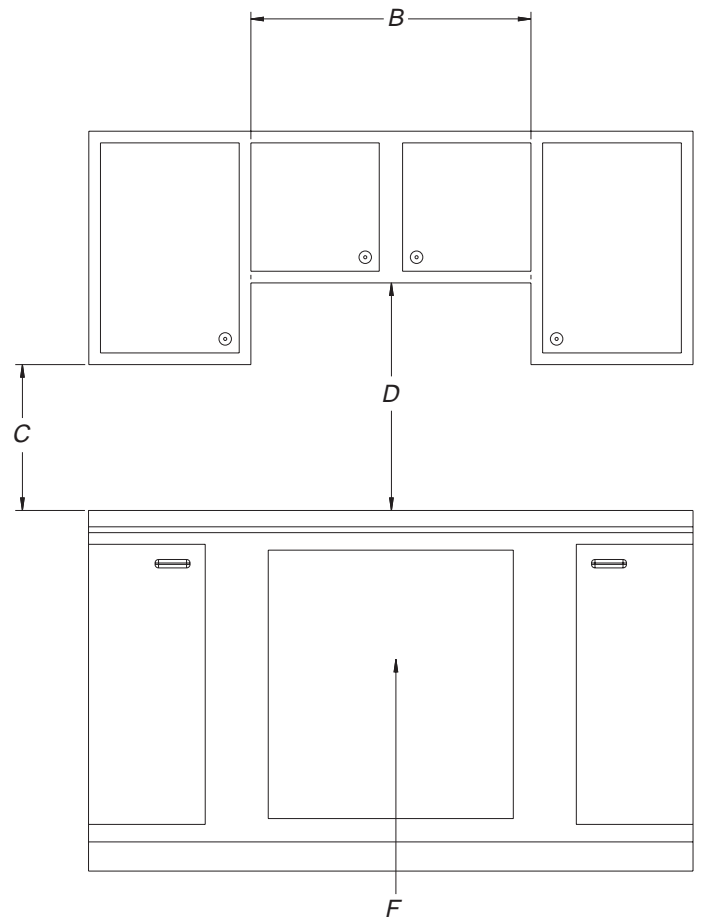
- A. 21" (53.3 cm)
- B. 36" (91.4 cm)
- C. 18<sup>7</sup>/<sub>8</sub>" (48.0 cm)
- D. 33<sup>3</sup>/<sub>4</sub>" (85.7 cm)
- E. 3<sup>3</sup>/<sub>8</sub>" (8.6 cm)
- F. 4<sup>1</sup>/<sub>8</sub>" (10.5 cm)
- G. 1<sup>1</sup>/<sub>2</sub>" (3.8 cm)

**Cabinet Clearances**

**Side View**

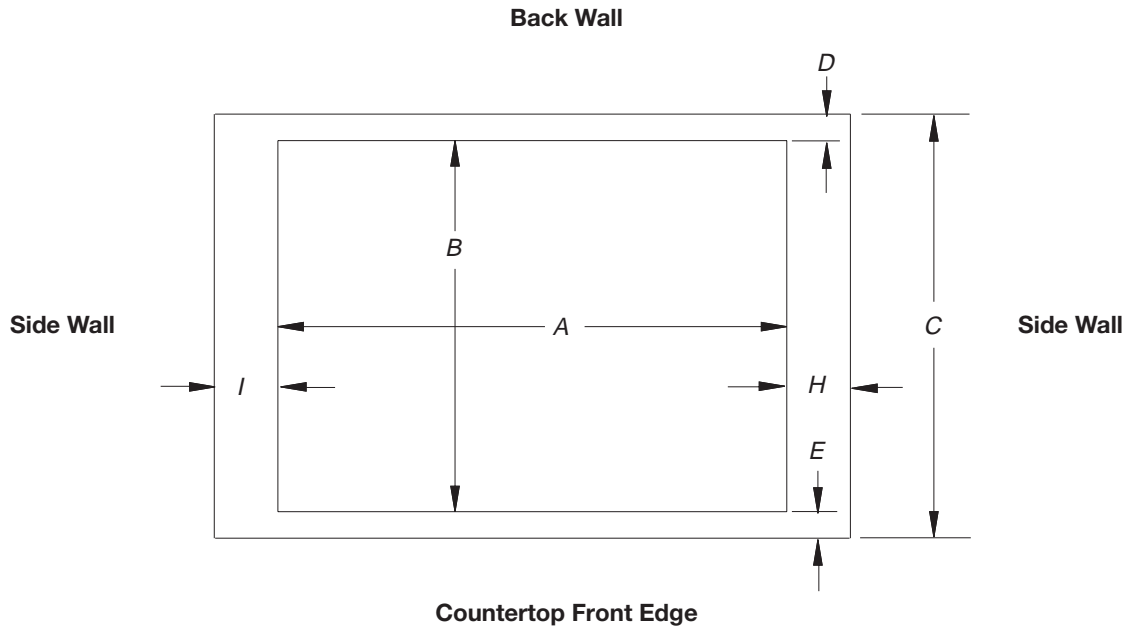


**Front View**



- A. 13" (33.0 cm) recommended upper cabinet depth.
- B. 30" (76.2 cm) for 30" models; 36" (91.4 cm) for 36" models.
- C. 18" (45.7 cm) minimum clearance from upper cabinet to countertop within minimum horizontal clearances to cooktop.
- D. 30" (76.2 cm) minimum clearance between top of cooktop platform and bottom of uncovered wood or metal cabinet.  
24" [61 cm] minimum clearance if bottom of wood or metal cabinet is covered by not less than 1/4" [0.6 cm] flame retardant millboard covered with not less than No. 28 MSG sheet steel, 0.015" [0.04 cm] stainless steel, or 0.024" [0.06 cm] aluminum or 0.020" [0.05 cm] copper.
- E. 36" (91.4 cm) top of countertop to floor.
- F. Gas line opening - Wall: anywhere 5" (12.7 cm) below underside of countertop. Cabinet floor: anywhere within 6" (15.2 cm) of rear wall is recommended.

**Cutout Dimensions - Top View**



<b>Cutout (Product Opening) Dimensions</b>						
<b>Models</b>	<b>A</b>			<b>B</b>		
	<b>Min</b>	<b>Recommended</b>	<b>Max</b>	<b>Min</b>	<b>Recommended</b>	<b>Max</b>
<b>All Other 36" (91.4 cm) Models</b>	33 <sup>7</sup> / <sub>8</sub> " (86.0 cm)	34 <sup>5</sup> / <sub>16</sub> " (87.0 cm)	35 <sup>1</sup> / <sub>4</sub> " (89.5 cm)	19" (48.3 cm)	19 <sup>1</sup> / <sub>2</sub> " (49.5 cm)	20" (50.8 cm)

<b>Side Walls (Combustible Surfaces)</b>	
<b>Models</b>	<b>H and I</b>
<b>All Other Models</b>	Both have to be 8" (20.3 cm) or more.

<b>Back Wall and Countertop Front Dimensions</b>			
<b>Models</b>	<b>C</b>	<b>D</b>	<b>E</b>
<b>All Other Models</b>	25" (63.5 cm)	2 <sup>7</sup> / <sub>8</sub> " (7.3 cm)	2 <sup>3</sup> / <sub>4</sub> " (6.9 cm)
			3 <sup>1</sup> / <sub>8</sub> " (7.9 cm)

**NOTES:** After making the countertop cutout, some installations may require notching down the base cabinet side walls to clear the cooktop base. To avoid this modification, use a base cabinet with sidewalls wider than the cutout.

If cabinet has a drawer, a 4" (10.2 cm) depth clearance from the countertop to the top of the drawer (or other obstruction) in base cabinet is required. The drawer depth may need to be shortened to avoid interfering with the regulator.

**IMPORTANT:** If a built-in wall oven is to be installed below this cooktop, the grounded outlet and gas supply piping must be located in an adjacent cabinet. If installing a range hood or microwave hood combination above the cooking surface, follow the range hood or microwave hood combination installation instructions for dimensional clearances above the cooktop surface.

This cooktop and its gas and electrical supply sources must be installed before the undercounter built-in wall oven is installed.



# WOS51EC0HS



## 5.0 cu. ft. Smart Single Wall Oven with Touchscreen

<http://www.whirlpool.com>



### Key Features:

- Smart Appliance
- Scan-to-Cook Technology (US Only)
- Touchscreen
- Voice Control with a Smart Voice Assistant (U.S. Only)
- Multi-Step Cooking
- Frozen Bake™ Technology
- Nest Learning Thermostat™ Integration (U.S. Only)
- Remote Start
- Keep Warm Setting
- Party Mode
- Enhanced Troubleshooting
- Guided Service

### Product Dimensions:

Height: 28 3/4

Width: 30

Depth: 26 7/16

### Additional Information:

[Use And Care Guide](#)

[Installation Guide](#)

[Energy Guide](#)

Available in:

- Black
- Stainless Steel
- White



©Registered trademark/TM Trademark of Whirlpool, U.S.A. © 2016 Whirlpool Corporation. All Rights Reserved. All other trademarks are owned by their respective companies.

Because Whirlpool Corporation policy includes a continuous commitment to improve our products, we reserve the right to change materials and specifications without notice. We also reserve the right to discontinue or transition products without notice.

Manufacturer's Suggested Retail Price (MSRP) and Minimum Advertised Price (MAP) provided for reference purposes only. Dealer alone determines advertised and retail prices.

Created On: Sunday, July 29, 2018 20:35:59

**IMPORTANT:** Observe all governing codes and ordinances.

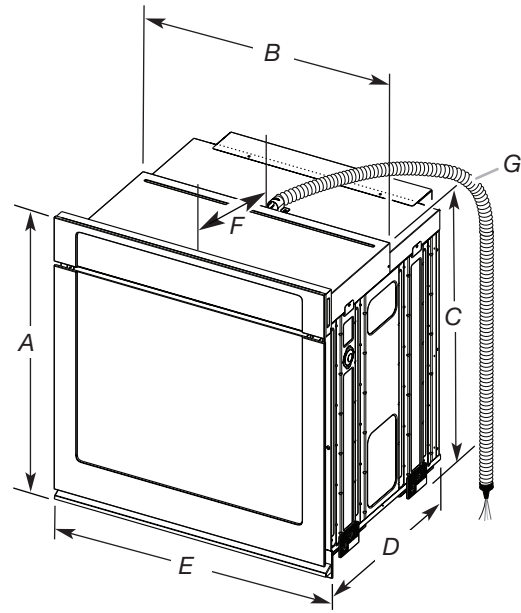
- Cabinet opening dimensions that are shown must be used. Given dimensions provide minimum clearance with oven.
- Recessed installation area must provide complete enclosure around the recessed portion of the oven.
- Grounded electrical supply is required. See the "Electrical Requirements" section.
- Electrical supply junction box should be located 3" (7.6 cm) above the cutout or 3" (7.6 cm) maximum below the support surface when the oven is installed in a wall cabinet. A 1" (2.5 cm) minimum diameter hole should have been drilled in the right rear or left rear corner of the upper or lower support surface to pass the appliance cable through to the junction box.

**NOTE:** For undercounter installation, it is recommended that the junction box be located in the adjacent right or left cabinet. If you are installing the junction box on rear wall behind oven, it is recommended that the junction box be recessed and located in the upper center of the cabinet.

- Oven support surface must be solid, level, and flush with bottom of cabinet cutout.
- Floor must be able to support a single oven weight of 129 lbs (59 kg) for 27" (68.6 cm) models or 154 lbs (70 kg) for 30" (76.2 cm) models.
- Floor must be able to support a double oven weight of 251 lbs (114 kg) for 27" (68.6 cm) models or 288 lbs (131 kg) for 30" (76.2 cm) models.

**IMPORTANT:** To avoid damage to your cabinets, check with your builder or cabinet supplier to make sure that the materials used will not discolor, delaminate, or sustain other damage. This oven has been designed in accordance with the requirements of UL and CSA International and complies with the maximum allowable wood cabinet temperatures of 194°F (90°C).

## Product Dimensions — Single Ovens



### 30" (76.2 cm) models

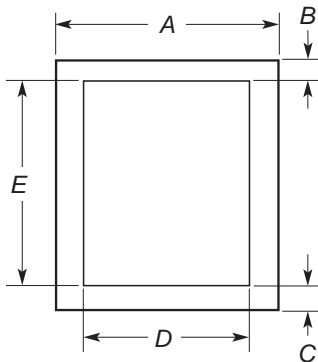
- A. 28<sup>3</sup>/<sub>4</sub>" (72.8 cm) max. overall height
- B. 28<sup>1</sup>/<sub>2</sub>" (72.4 cm) max. recessed width
- C. 26<sup>3</sup>/<sub>4</sub>" (67.9 cm) recessed height
- D. 23<sup>1</sup>/<sub>4</sub>" (59.1 cm) max. recessed depth
- E. 30" (76.2 cm) overall width 12" (30.5 cm) from back of control panel to start of strain relief
- F. 48" (121.9 cm) flexible conduit length

## Undercounter Installation (with Cooktop Installed Above):

Refer to the Cutout Dimensions for Ovens Installed Under Cooktop (separate sheet). See product website for list of cooktop models approved for use above select wall-oven models.

## Cabinet Dimensions — Single Ovens

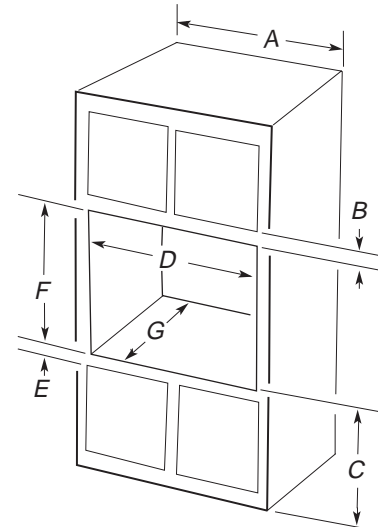
### Single Oven Undercounter (Without Cooktop Installed Above)



### 30" (76.2 cm) models

- A. 30" (76.2 cm) min. cabinet width
- B. 1<sup>1</sup>/<sub>2</sub>" (3.8 cm) min. top of cutout to underside of countertop
- C. 5<sup>1</sup>/<sub>4</sub>" (13.3 cm) bottom of cutout to floor
- D. 28<sup>1</sup>/<sub>2</sub>" (72.4 cm) cutout width
- E. 28" (71.2 cm) min. cutout height

## Single Ovens Installed in Cabinet



### 30" (76.2 cm) models

- A. 30" (76.2 cm) min. cabinet width
- B. 1" (2.5 cm) top of cutout to bottom of upper cabinet door
- C. 32" (81.3 cm) bottom of cutout to floor
- D. 28<sup>1</sup>/<sub>2</sub>" (72.4 cm) cutout width
- E. 1<sup>1</sup>/<sub>2</sub>" (3.8 cm) min. bottom of cutout to top of cabinet door
- F. 28" (71.2 cm)\* recommended cutout height
- G. 24" (60.7 cm) cutout depth

\*NOTE: The cutout height can be between 26<sup>15</sup>/<sub>16</sub>" and 29<sup>7</sup>/<sub>16</sub>" (68.4 cm and 74.8 cm) for single ovens.

## Electrical Requirements

If codes permit and a separate ground wire is used, it is recommended that a qualified electrical installer determine that the ground path and the wire gauge are in accordance with local codes.

Check with a qualified electrical installer if you are not sure the oven is properly grounded.

This oven must be connected to a grounded metal, permanent wiring system.

Be sure that the electrical connection and wire size are adequate and in conformance with the National Electrical Code, ANSI/NFPA 70 — latest edition or CSA Standards C22.

1-94, Canadian Electrical Code, Part 1 and C22.2 No. O-M91 — latest edition, and all local codes and ordinances.

A copy of the above code standards can be obtained from:

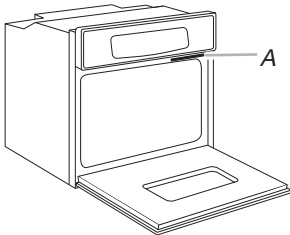
National Fire Protection Association  
1 Batterymarch Park  
Quincy, MA 02169-7471

CSA International  
8501 East Pleasant Valley Road  
Cleveland, OH 44131-5575

### Electrical Connection

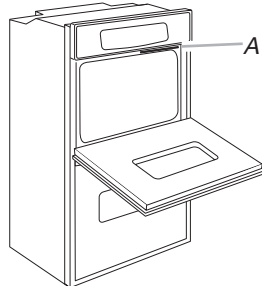
To properly install your oven, you must determine the type of electrical connection you will be using and follow the instructions provided for it here.

- Oven must be connected to the proper electrical voltage and frequency as specified on the model/serial/rating plate. The model/serial/rating plate is located under the control panel on single ovens and under the control panel on the upper cavity on double ovens. See the following illustrations.



**Single Oven**

A. Model/serial/rating plate



**Double Oven**

A. Model/serial/rating plate

- Models rated from 7.3 to 9.6 kW at 240 volts (6.3 to 8.3 kW at 208 volts) require a separate 40-amp circuit. Models rated from 4.9 to 7.2 kW at 240 volts (4.3 to 6.2 kW at 208 volts) require a separate 30-amp circuit. Models rated at 4.8 kW and below at 240 volts (4.2 kW and below at 208 volts) require a separate 20-amp circuit.
- A circuit breaker is recommended.
- Connect directly to the circuit breaker box (or fused disconnect) through flexible, armored, or nonmetallic sheathed, copper cable (with grounding wire). See the “Make Electrical Connection” section.
- Flexible conduit from the oven should be connected directly to the junction box.
- Fuse both sides of the line.
- Do not cut the conduit. The length of conduit provided is for serviceability of the oven.
- A UL Listed or CSA Approved conduit connector must be provided.
- If the house has aluminum wiring, follow the procedure below:  
Connect the aluminum wiring using special connectors and/or tools designed and UL Listed for joining copper to aluminum.  
Follow the electrical connector manufacturer’s recommended procedure. Aluminum/copper connection must conform with local codes and industry accepted wiring practices.

Series	Voltage	Frequency	Rating
WOD97EC/ WODA7EC/ WOD77EC	120/240 V AC	60 Hz	8 kW
	120/208 V AC	60 Hz	6 kW
WOS97EC/ WOSA2EC/ WOS72EC	120/240 V AC	60 Hz	4 kW
	120/208 V AC	60 Hz	3 kW
WOD51EC	120/240 V AC	60 Hz	7.6 kW
	120/208 V AC	60 Hz	5.7 kW
WOS51EC	120/240 V AC	60 Hz	3.9 kW
	120/208 V AC	60 Hz	2.9 kW

WMC50522HS



## 2.2 cu. ft. Countertop Microwave with 1,200-Watt Cooking Power

<http://www.whirlpool.com>



### Key Features:

- 2.2 cu. ft. Capacity
- Sensor Cooking
- 1,200-Watt Cooking Power
- Recessed Glass Turntable
- Microwave Built-In Trim Kit (Optional)
- Microwave Presets
- Electronic Touch Controls
- Add 30 Seconds Option
- Control Lock
- Dishwasher-Safe Turntable Plate
- #1 selling appliance brand in the U.S.A.
- Fingerprint-Resistant

### Product Dimensions:

Height: 12 9/16

Width: 24

Depth: 19 5/8

Available in:

- Black
- Fingerprint Resistant Stainless Steel
- Stainless Steel
- Fingerprint Resistant Black Stainless
- White

©Registered trademark/TM Trademark of Whirlpool, U.S.A. © 2016 Whirlpool Corporation. All Rights Reserved. All other trademarks are owned by their respective companies.

Because Whirlpool Corporation policy includes a continuous commitment to improve our products, we reserve the right to change materials and specifications without notice. We also reserve the right to discontinue or transition products without notice.

Manufacturer's Suggested Retail Price (MSRP) and Minimum Advertised Price (MAP) provided for reference purposes only. Dealer alone determines advertised and retail prices.

Created On: Friday, September 14, 2018 06:26:35

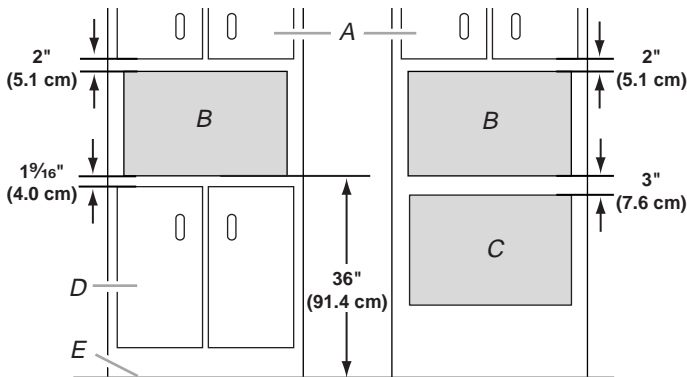
# INSTALLATION INSTRUCTIONS

## Location Requirements

The microwave oven may be installed over a built-in oven. If installing over a built-in oven, make sure there is a minimum of 3" (7.6 cm) between the top of the lower oven cutout and the microwave oven cutout floor.

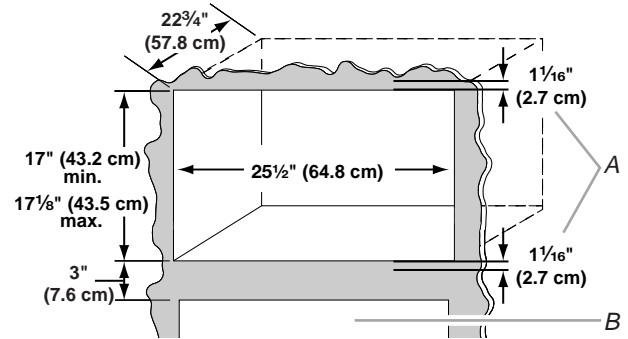
The microwave oven may also be installed in a cabinet by itself (without a built-in oven below). For best usability, we recommend a minimum distance of 36" (91.4 cm) from the floor to the cutout floor.

Make sure the surrounding cabinetry has clearance to open and close freely. Allow a clearance of at least 1<sup>1</sup>/<sub>16</sub>" (4.0 cm) below the cutout floor (3" [7.6 cm] for installation above a built-in oven), and a clearance of at least 2" (5.1 cm) above the cutout opening.



A. Upper cabinet  
B. Microwave oven cutout  
C. Lower oven cutout  
D. Lower cabinets  
E. Floor

## Required Cutout Dimensions

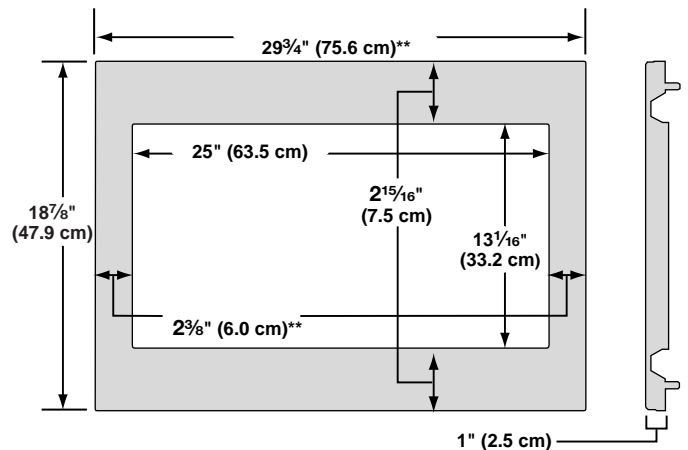


A. Trim kit frame overhang  
B. Cutout for lower oven

### NOTES:

- Height dimension is critical: 17" (43.2 cm) minimum, 17<sup>1</sup>/<sub>8</sub>" (43.5 cm) maximum.
- Width and depth measurements have  $\pm 1/16$ " (2 mm) tolerance.
- 3" (7.6 cm) minimum dimension is from lower oven cutout ceiling to microwave oven cutout floor.
- Trim kit frame extends 1<sup>1</sup>/<sub>16</sub>" (2.7 cm) above and below the cutout opening.

## Trim Kit Frame Dimensions



\*\*30" (76.2 cm) trim kit

# WDP540HAMZ



<http://www.whirlpool.com>

## 55 dBA Quiet Dishwasher with Boost Cycle and Pocket Handle



### Key Features:

- 55 dBA
- Three 5" Cup Shelves
- Extended Soak Cycle
- Heavy Cycle
- Boost Cycle
- Normal Cycle
- Quick Wash Cycle
- High Temperature Wash Option
- Heated Dry Option
- Extended Dry Option
- Sani-Rinse Option
- Fingerprint Resistant Stainless Steel

### Product Dimensions:

Height: 34 1/2

Width: 23 7/8

Depth: 24 1/2

### Additional Information:

[Owners Manual](#)

[Dimension Guide](#)

[Installation Guide](#)

[Energy Guide](#)

[Warranty Certificate](#)

Available in:

- Black
- White
- Fingerprint Resistant Stainless Steel



©Registered trademark/TM Trademark of Whirlpool, U.S.A. © 2021 Whirlpool Corporation. All Rights Reserved. All other trademarks are owned by their respective companies.

Because Whirlpool Corporation policy includes a continuous commitment to improve our products, we reserve the right to change materials and specifications without notice. We also reserve the right to discontinue or transition products without notice.

Manufacturer's Suggested Retail Price (MSRP) and Minimum Advertised Price (MAP) provided for reference purposes only. Dealer alone determines advertised and retail prices.

Created On: Thursday, September 15, 2022 03:44:48



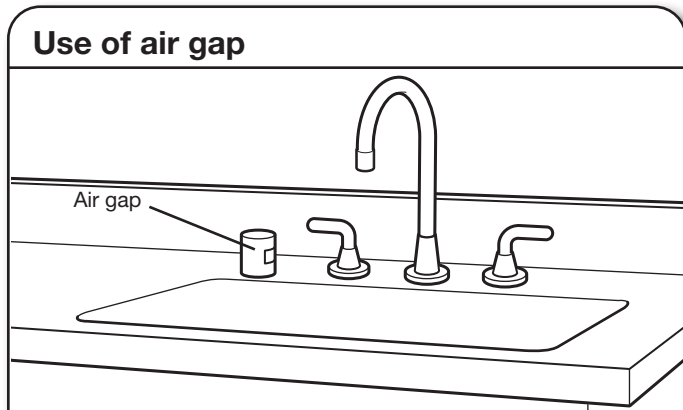
## Undercounter Dishwasher

### PRODUCT MODEL NUMBERS

WDF110PAB	WDF331PAM	WDT730HAM
WDF111PAB	WDF340PAM	WDT730PAH
WDF120PAF	WDF520PAD	WDT735PAG
WDF121PAF	WDF540PAD	WDT735PAH
WDF130PAH	WDF545PAF	WDP540HAM
WDF131PAH	WDT530HAM	WDP560HAM
WDF320PAD	WDT540HAM	WDP730HAM
WDF330PAH	WDT710PAH	
WDF331PAH	WDT720PAD	

### DRAIN REQUIREMENTS

- A new drain hose is supplied with your dishwasher. If drain hose is not long enough, use a new drain hose with a maximum length of 12 ft (3.7 m) that meets all current AHAM/IAPMO test standards, is resistant to heat and detergent, and fits the 1" (25 mm) drain connector of the dishwasher. See the "Tools and Parts" section at the front of the guide for part details and orders.
- Make sure to connect drain hose to waste tee or disposer inlet above drain trap in house plumbing and 20" (508 mm) minimum above the floor. It is recommended that the drain hose either be looped up and securely fastened to the underside of the counter or be connected to an air gap.
- Make sure to use an air gap if the drain hose is connected to house plumbing lower than 20" (508 mm) above subfloor or floor.



- If required, the air gap should be installed in accordance with the air gap installation instructions. When you are connecting the air gap, a rubber hose (not provided) will be needed to connect to the waste tee or disposer inlet.
- Use 1/2" (13 mm) minimum I.D. drain line fittings.

### WATER SUPPLY REQUIREMENTS

- This dishwasher has a water heating feature and also requires a connection to a hot water supply line.
- A hot water line with 20 psi to 120 psi (138 kPa to 862 kPa) water pressure can be verified by a licensed plumber.
- 120°F (49°C) water at dishwasher.

- 3/8" (95 mm) O.D. copper tubing with compression fitting or flexible braided water supply line. See the "Tools and Parts" section at the front of the guide for part details and orders.

**NOTE:** 1/2" (13 mm) minimum plastic tubing is not recommended.

- A 90° elbow with 3/4" (95 mm) hose connection with rubber washer. See the "Tools and Parts" section at the front of the guide for part details and orders.
- Do not solder within 6" (152 mm) of the water inlet valve.
- If installed in new construction, make sure the house water supply lines have been flushed prior to connecting the dishwasher to remove any debris that may exist in the supply line.

**NOTE:** If replacing an existing dishwasher, it is recommended to install a new water line (see the "Tools and Parts" section at the front of the guide for part details) and drain hose (supplied) with the new dishwasher.

### ELECTRICAL REQUIREMENTS

#### You Must Have:

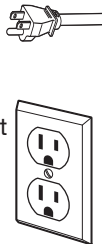
- 120 V, 60 Hz, AC only, 15 A or 20 A, fused electrical supply.
- Copper wire only.
- A maximum of 2 field wiring supply conductors (12 AWG largest size) plus 1 grounding conductor are permitted in the terminal box.

#### We Recommend:

- A time-delay fuse or circuit breaker.
- A separate circuit.

#### If Connecting Dishwasher with a Power Cord:

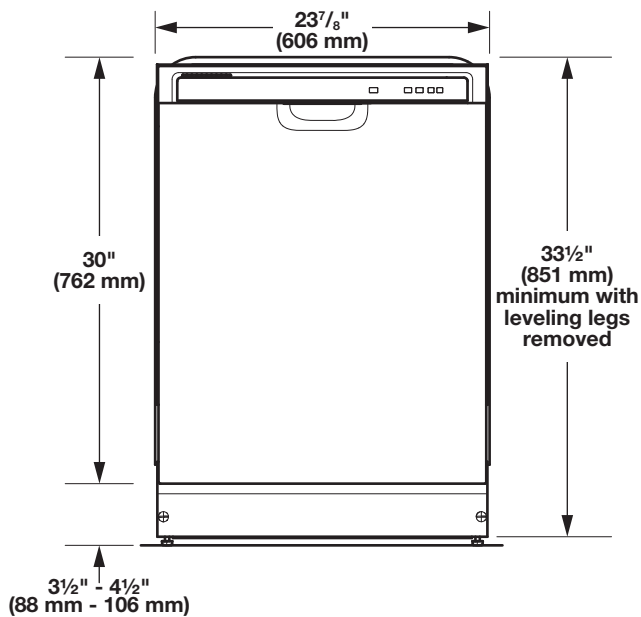
- Use UL Listed power cord kit marked for use with dishwasher. See the "Tools and Parts" section at the front of the guide for part details and orders.
- Plug into a grounded 3 prong outlet. Outlet must meet all local codes and ordinances.



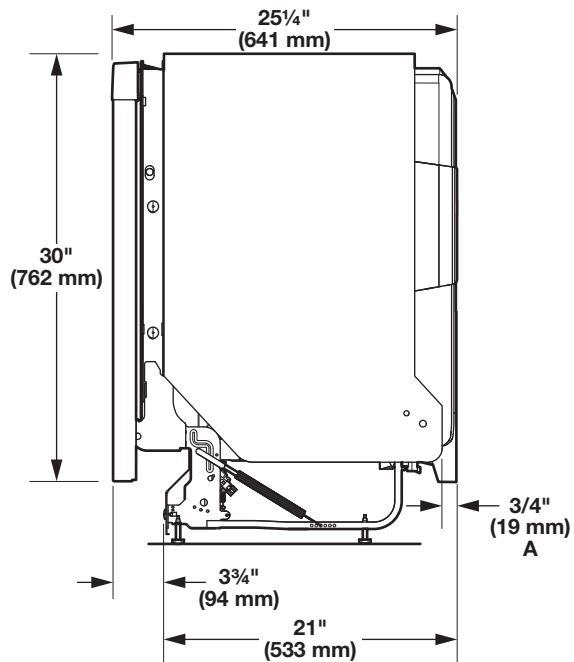
#### If Connecting Dishwasher with Direct Wiring:

- Use flexible, armored, or nonmetallic sheathed copper wire with grounding wire that meets the wiring requirements for your home and local codes and ordinances.
- Use a UL Listed/CSA Approved metallic strain relief.

## PRODUCT DIMENSIONS (FOR 331 AND 340 MODELS)

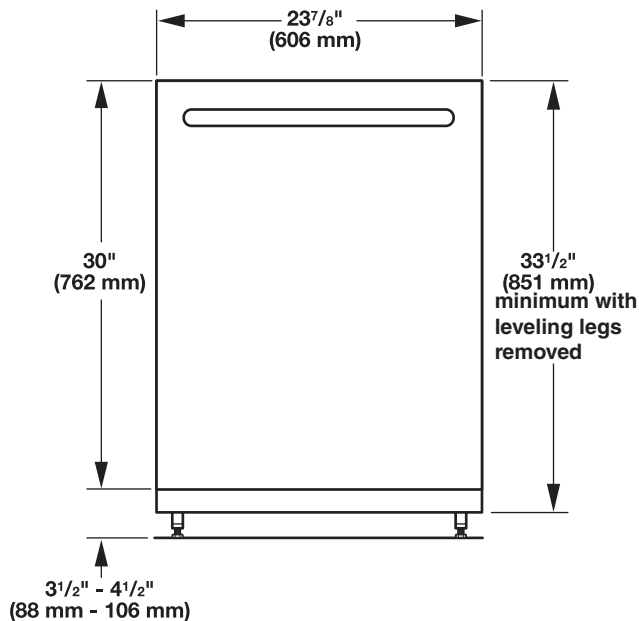


For 4" (100 mm) toe kick, height of cabinet opening is 34<sup>1</sup>/<sub>2</sub>" (863 mm).

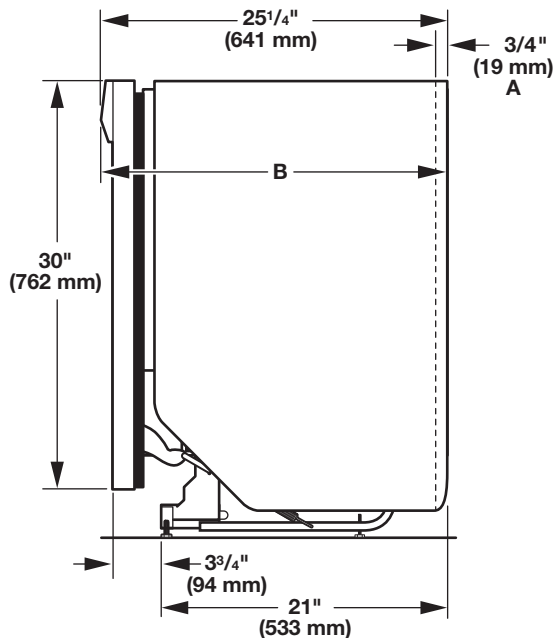


A. Insulation may be compressed (not used on all models).

## PRODUCT DIMENSIONS (FOR 500 AND 700 MODELS)



For 4" (100 mm) toe kick, height of cabinet opening is 34<sup>1</sup>/<sub>2</sub>" (863 mm).

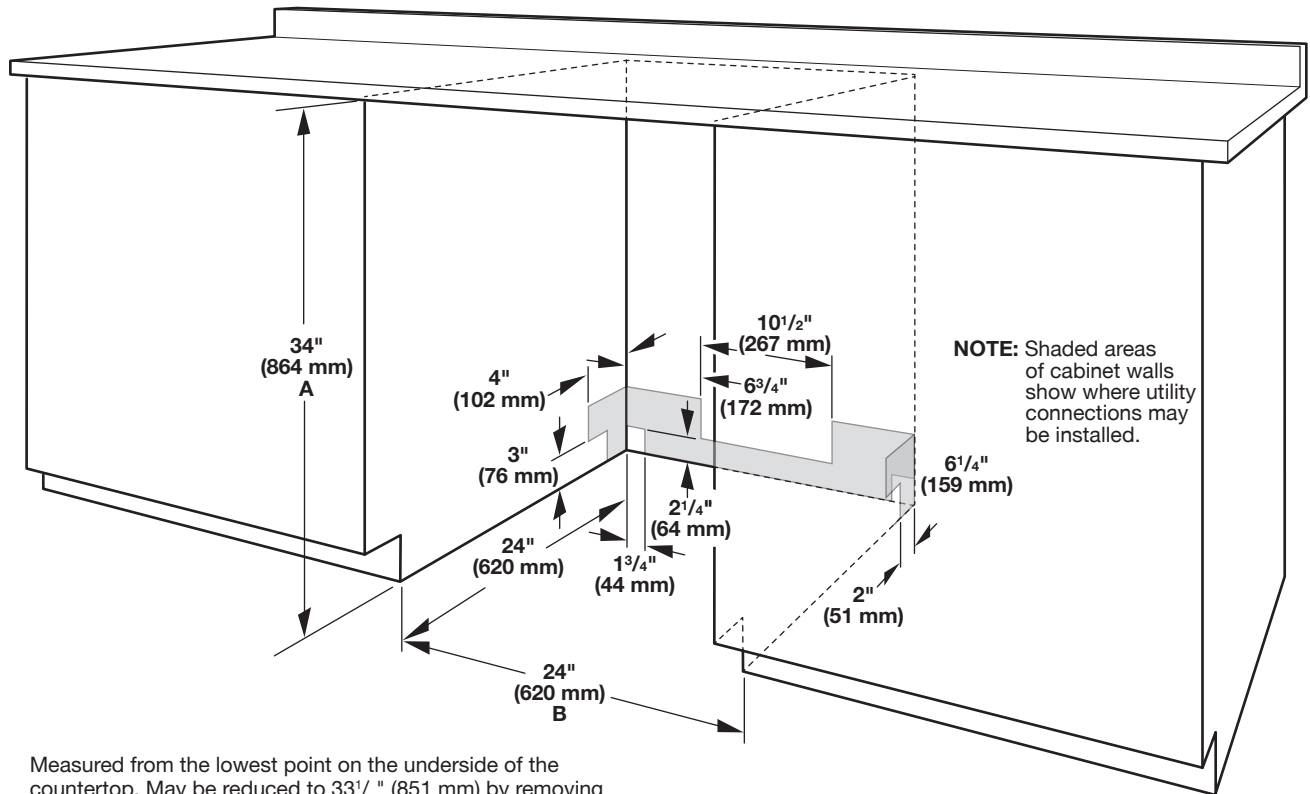


A. Insulation may be compressed (not used on all models).

B. Door handles may protrude forward of the face of the dishwasher, (varies by model).



## CABINET OPENING DIMENSIONS



**NOTE:** Shaded areas of cabinet walls show where utility connections may be installed.

- A. Measured from the lowest point on the underside of the countertop. May be reduced to  $33\frac{1}{2}$ " (851 mm) by removing the wheels and perforated area of insulation (blanket) on dishwasher.
- B. Minimum, measured from narrowest point of opening.